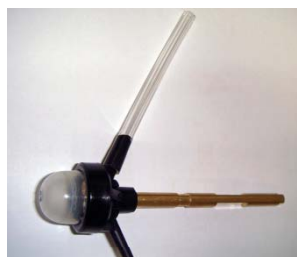


C1U-W49 carburetor

Procedure for replacing PRIMER BASE KIT K056704



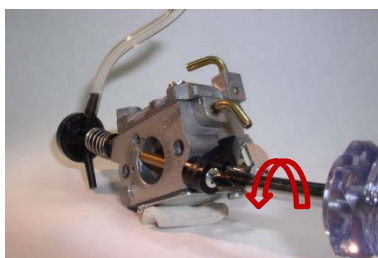
C1U-W49



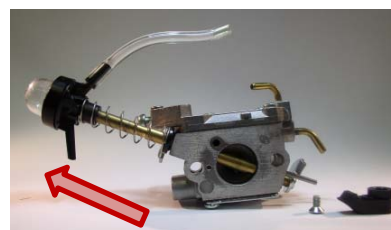
Primer Base Kit
Zama P/N; **K056704**



1. Remove hose



2. Remove screw on black lever



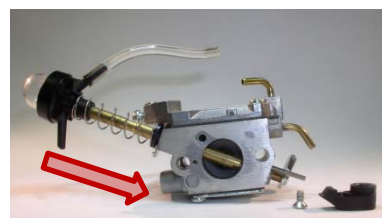
3. Disassemble black lever and Primer base kit



4. Assemble new Primer kit with original spring and plastic ring



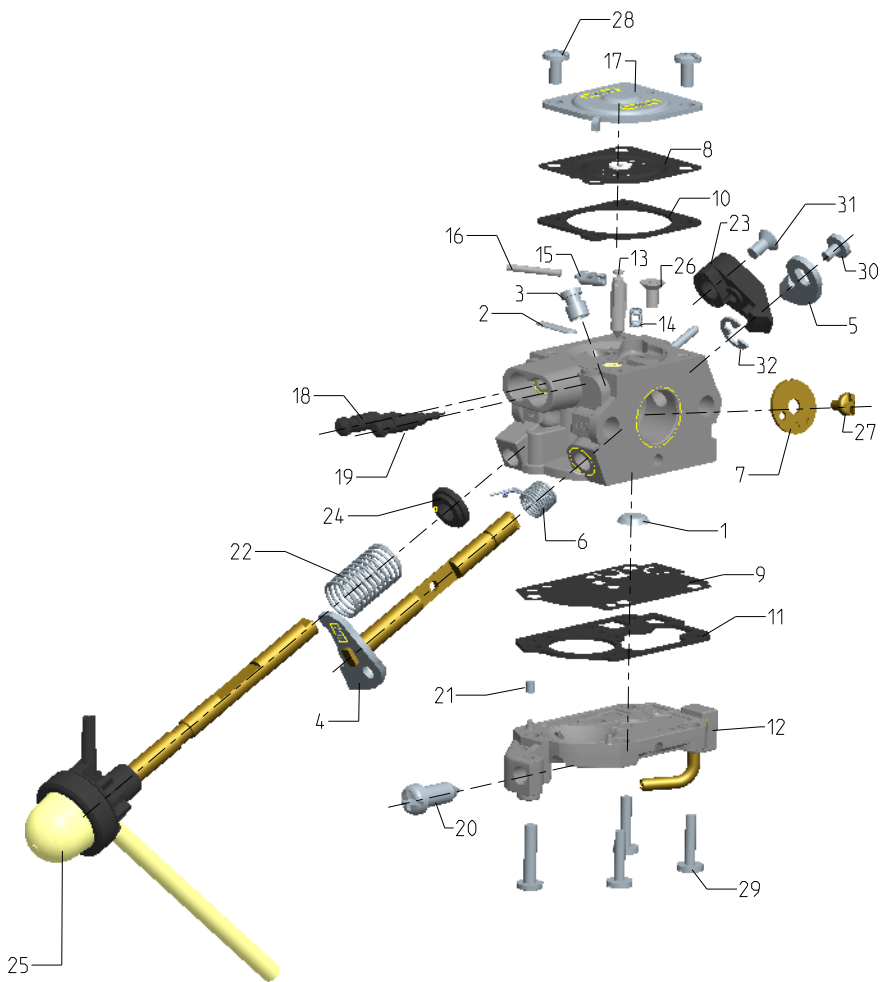
5. Re-assemble original lever and screw



6. Connect hose onto brass fitting



C1U-W49



REF.NO.	PART NAME	PART NO.
1	STRAINER	0004032
2	PLUG, WELCH	0005004
3	NOZZLE ASS'Y, CHECK VALVE	A007188
4	SHAFT ASS'Y, THROTTLE	A011705
5	LEVER, THROTTLE	0012703
6	SPRING, THROTTLE RETURN	0013016
7	VALVE, THROTTLE	0014103
8	DIAPHRAGM ASS'Y, METERING	A015010
9	DIAPHRAGM, PUMP	0015103
10	GASKET, METERING CHAMBER	0016019
11	GASKET, PUMP	0016091
12	COVER ASS'Y, PUMP	A017701
13	VALVE, INLET NEEDLE	0018002
14	SPRING, METERING LEVER	0019002
15	LEVER, METERING	0020012
16	PIN	0021001
17	COVER, METERING CHAMBER	0028022
18	SCREW, MAIN MIXTURE	0030210
19	SCREW, IDLE MIXTURE	0031212
20	SCREW, THROTTLE ADJUST	0035035
21	PIECE, FRICTION	0036001
22	SPRING, CHOKE RETURN	0013705
23	CHOKE ACTUATOR LEVER	0042702
24	COLLAR	0052702
25	BASE KIT PRIMER	K056704
26	SCREW (PIN)	14903006
27	SCREW (THROTTLE VALVE)	156030045
28	SCREW (METERING COVER)	17203006
29	SCREW (PUMP COVER)	17103012
30	SCREW (THROTTLE LEVER)	17103007
31	SCREW (CHOKE LEVER)	14803006
32	E-RING (THROTTLE SHAFT)	19500040